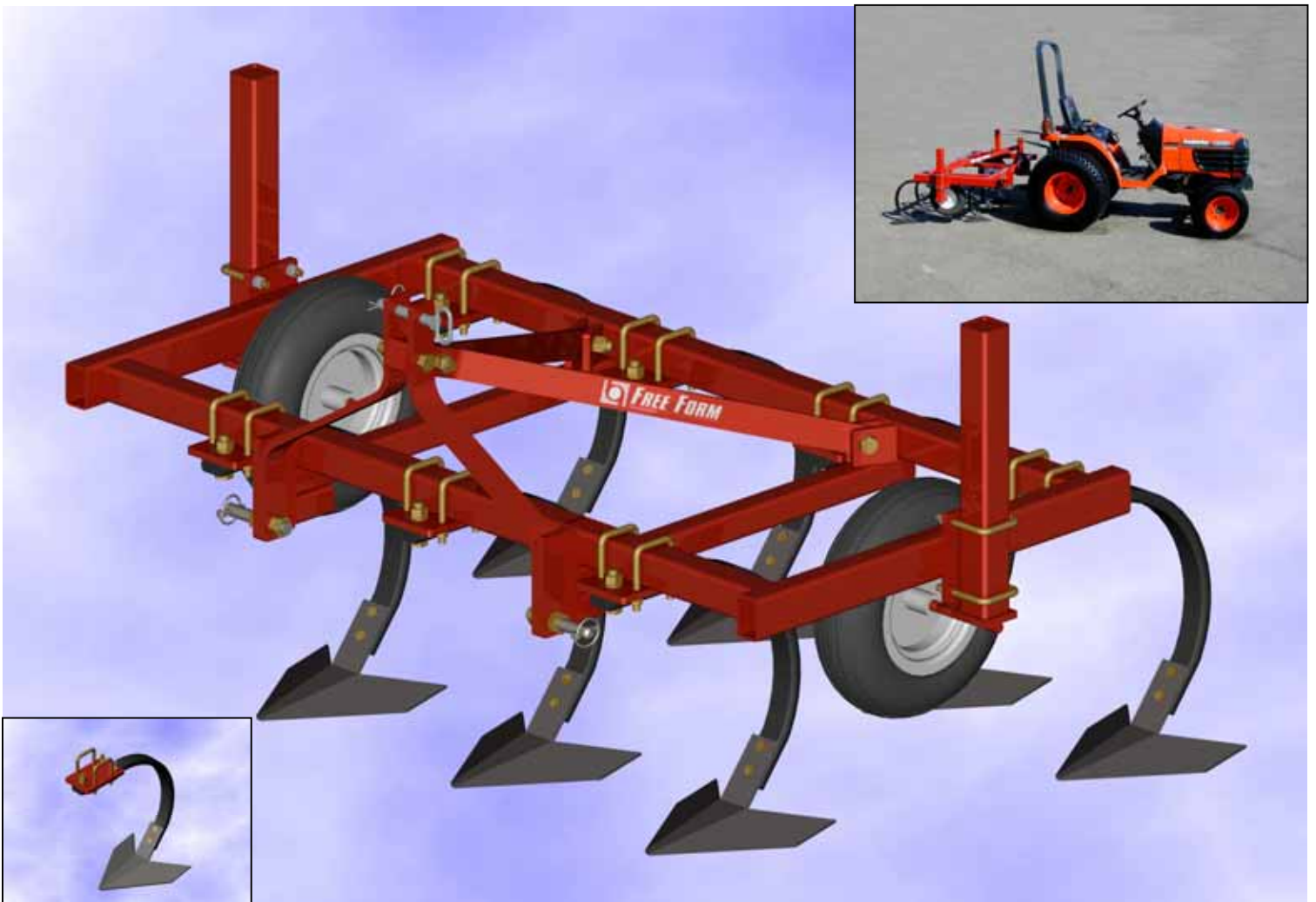


Freeform

PLASTIC PRODUCTS

A DIVISION OF BOURGAULT INDUSTRIES LTD.

Category I Three Point Hitch Cultivator Model 1000

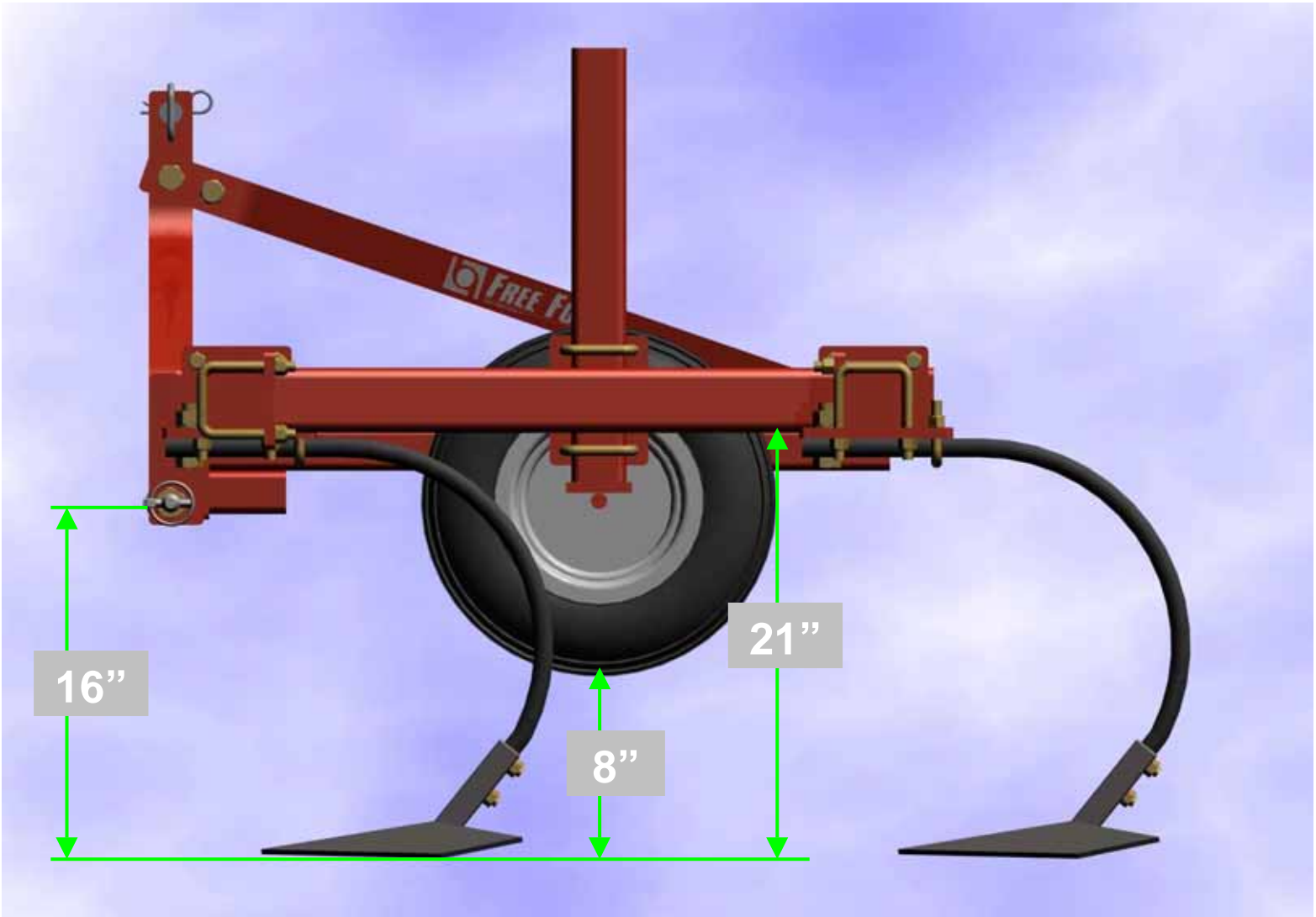


- √ Category I
- √ Base unit is 5- $\frac{1}{4}$ ft.
- √ Optionally extendable to 6- $\frac{3}{4}$ ft. or 8- $\frac{1}{4}$ ft.
- √ 9-inch shank spacing with 7/8" shanks
- √ Maximum working depth is 8 inches
- √ Optional gauge wheels
- √ 16" of pin to ground clearance

- Three Year Limited Warranty
- Five Year Shank Breakage Warranty

Specifications:

- 5-¼ feet (7 shanks)
 - 2-½" x 2-½" x 3/16" wall frame
 - 3" x 2" x 3/16" cross members
 - Optional extensions to 6-¾ feet or 8-¼ feet
 - Optional gauge wheels
 - Gauge wheel tires – 4.8" x 8", 4 ply
 - Category I three point hitch
 - 26-½" between shank row beams
- Uses 47° sweeps with ½" plow-bolts on 1-¾" centers
 - Solid shank mount
 - Can accept sweeps up to 11" wide
 - Under-frame clearance – 21-1/2"
 - Maximum working depth – 8"
 - Packaged in a 4' x 8' x 1' crate
 - Approx. weights unit - 5.25' - 360 lbs.
6.75' - 465 lbs., 8.25' - 565 lbs.
 - Weight of gauge wheels – 60 lbs.



Three Year Limited Warranty

Five-year shank
breakage warranty
Lifetime shank
bending exchange
warranty

Your Free Form Dealer:

Free Form Plastic Products
Box 159, 502 F.P.Bourgault Drive
St. Brieux, Sask. S0K 3V0
PH: 306-275-2155 FAX: 306-275-2101
E-mail: sales@freeformplastics.com
www.freeformplastics.com