

Freeform

PLASTIC PRODUCTS

A DIVISION OF BOURGAULT INDUSTRIES LTD.

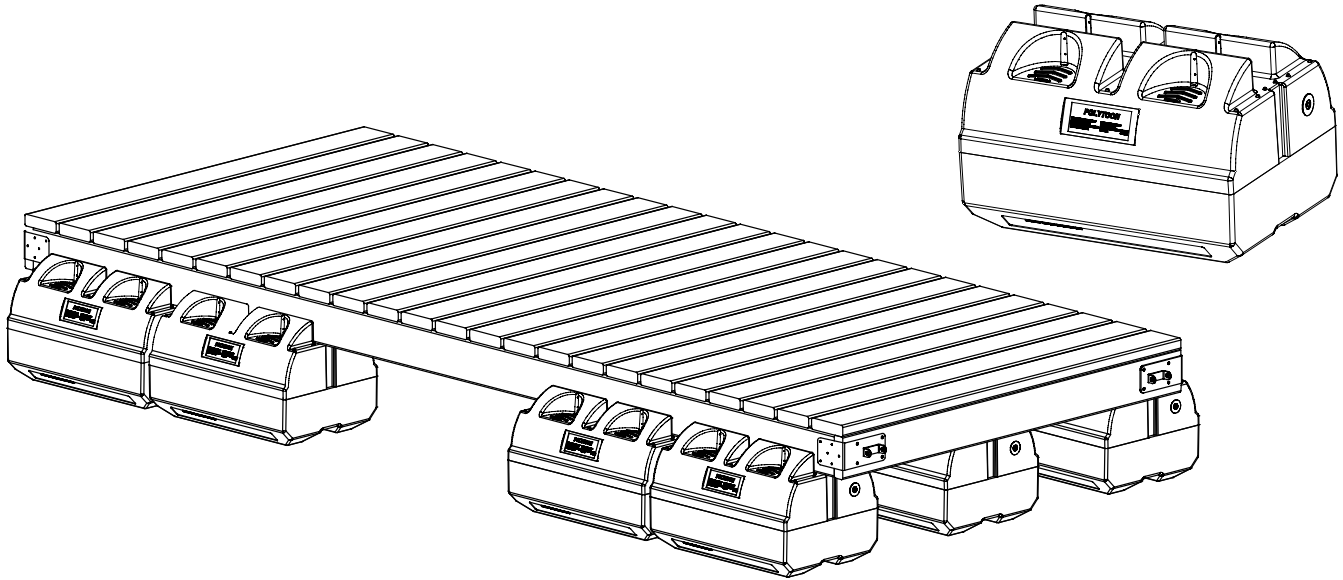
You are looking at Free Form Plastic's durable and economical floating dock system. The heart of the system is the universal polyethylene float known as the "Polytoon". It was designed for supporting floating docks and platforms of any shape and size. The versatility of the Polytoon makes it the number one choice of dock builders everywhere.



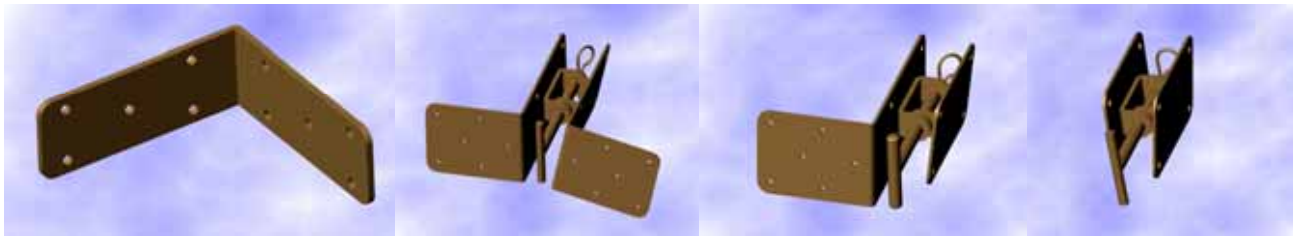
Custom design your own dock system or have Free Form Plastic Products design it for you!

Floating Docks & Platforms

www.freeformplastics.com



The Polytoon System allows customers to create a dock or platform of any shape and size. The decking is generally made from pressure treated wood because the Polytoon system's receiving slots are sized for regular dimensional lumber. You can do all of the wood construction yourself or have Free Form Plastics construct a completed platform to your specifications. Delivery to your location can also be arranged.



Free Form also offers a full line of the highest quality, most durable hinges and braces available anywhere in the marketplace. One simply cannot claim to have a great dock system without high quality attaching hardware. These hinges and braces are electrochemically plated to ensure excellent resistance against corrosion.

Free Form Plastic Products
Box 159, 502 F.P. Bourgault Drive
St. Brieux, Sask. S0K 3V0
PH: 306-275-2155 FAX: 306-275-2101
E-mail: sales@freeformplastics.com
www.freeformplastics.com

Your Free Form Dealer: